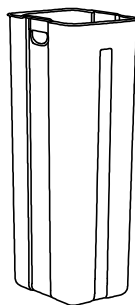
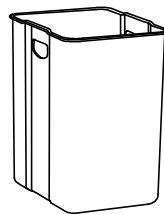


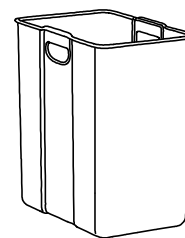
A x1



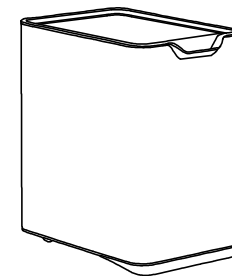
B x1



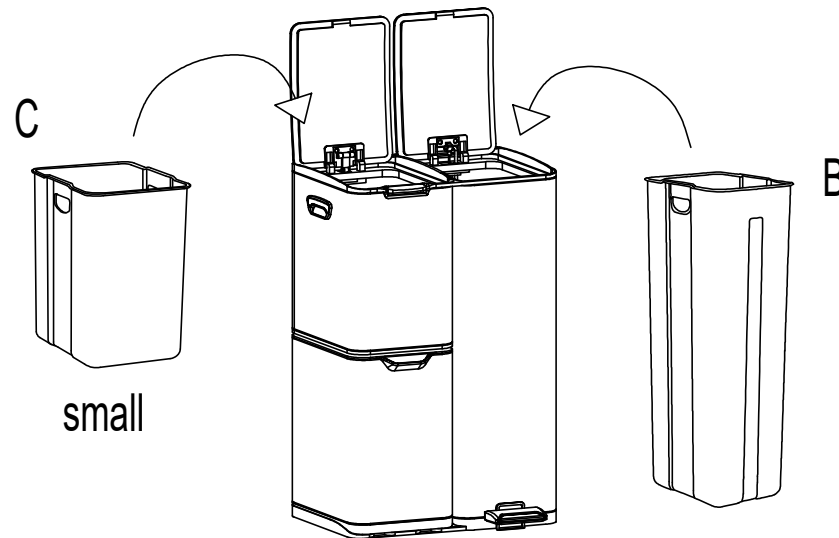
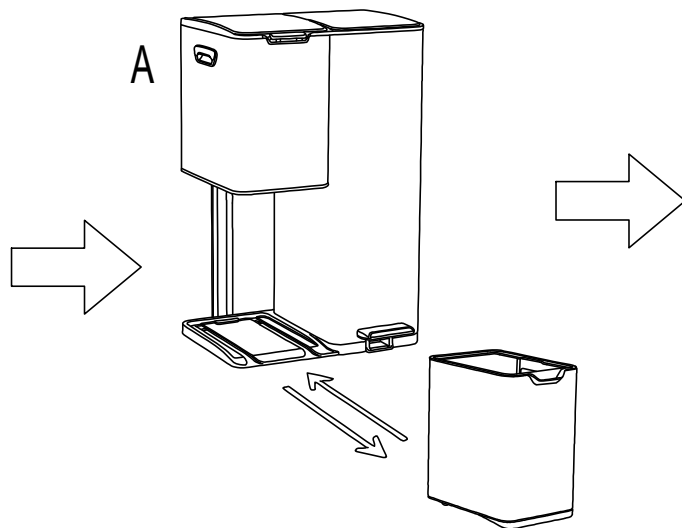
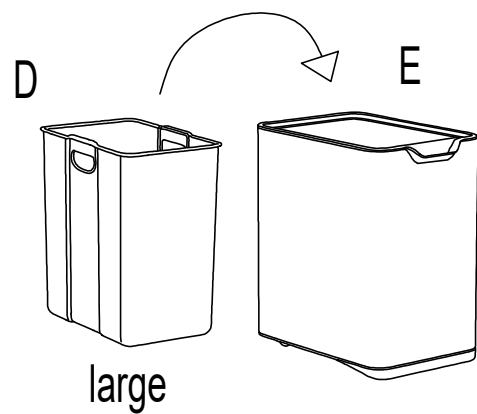
small C x1



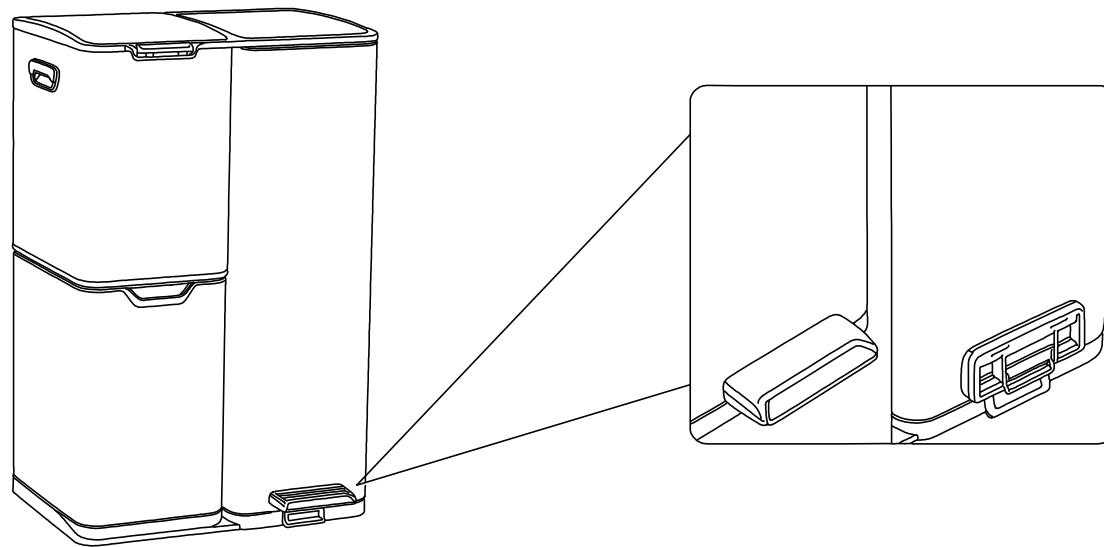
large D x1



E x1



Step 1



Step 2